



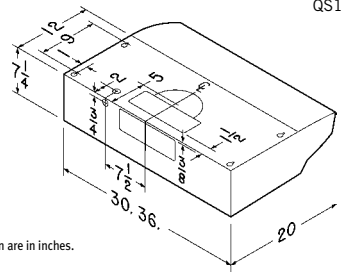
QS3



QS2



QS1



Dimensions shown are in inches.

## Broan QS Series

The QS series sets a new standard for style, quiet and ease of cleaning.

- Three-level light settings; dual halogen bulbs (PAR20) not included
- Heat Sentry™ detects excessive heat and turns unit to high automatically (QS2, QS3)

### SPECIFICATIONS

SERIES	WIDTH	STAINLESS STEEL	WHITE	BLACK	BISCUIT	ALMOND	CONTROL	FILTER	CFM	SONES	INSTALLATION TYPE
QS3	30"	QS330SSN	QS330WWN	QS330BLN	—	—	Three-speed electronic control with boost mode	Professional style filters	430	0.4	3 1/4" x 10" (H.V) 7" round*, non-ducted
	36"	QS336SSN	QS336WWN	—	—						
QS2	30"	QS230SSN	QS230WWN	QS230BLN	—	—	Three-speed electronic control	Micromesh filters	300	0.9	3 1/4" x 10" (H.V) 7" round*, non-ducted
QS1	30"	QS130SSN	QS130WWN	QS130BLN	—	QS130AAN	Two-speed rocker switch control	Aluminum filters	220	1.5	3 1/4" x 10" (H.V) 7" round*, non-ducted

### OPTIONS

BPSF30	Replacement Charcoal Filter 30" (QS)	BPS3FA36	Replacement Aluminum Filter, 36" (QS3)
BPSF36	Replacement Charcoal Filter, 36" (QS)	BPS2FA30	Replacement Aluminum Filter, (QS2)
BPS3FA30	Replacement Aluminum Filter, 30" (QS3)	BPS1FA30	Replacement Aluminum Filter, (QS1)
ARP310**	Réducteur de débit (limite le débit de la hotte à moins de 300 PCM)		

\* 7" round damper and adapter sold separately.

\*\* QS2 Series only.



87437B/01/11

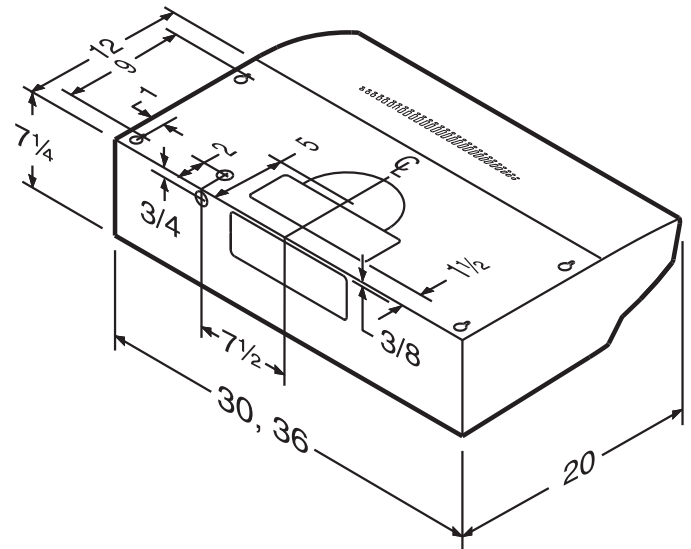
## SPECIFICATIONS

MODEL	QS1	QS2	QS3
VOLTS	120 VAC	120 VAC	120 VAC
Hz	60	60	60
AMPS	1.8	2.0	2.9
CFM (HIGH SPEED)	220	300*	300**
SONES (LOW SPEED)	1.5	0.9	0.4
SONES (HIGH SPEED)	5.0	4.5	4.5**
DUCTING SIZE	3/4" x 10"		
2 HALOGEN BULBS	PAR20, 50 W MAX.		
WARRANTY	1 YEAR		

\*OPTIONAL ARP310 AIR FLOW REDUCER (LIMITS THE AIRFLOW OF THE HOOD UNDER 300 CFM). (QS2 ONLY.)

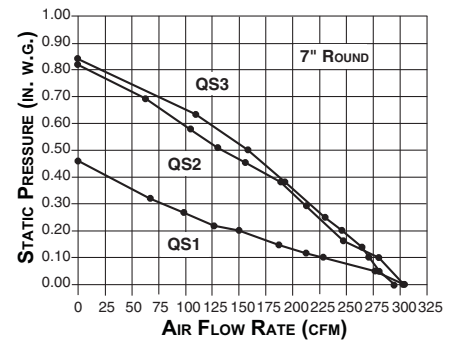
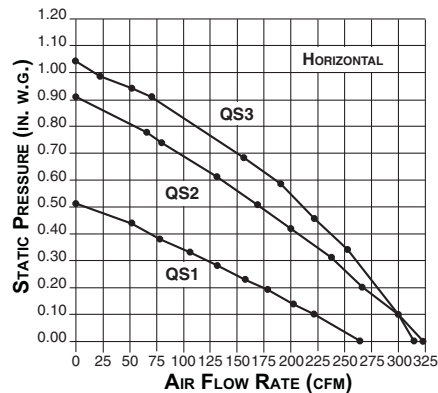
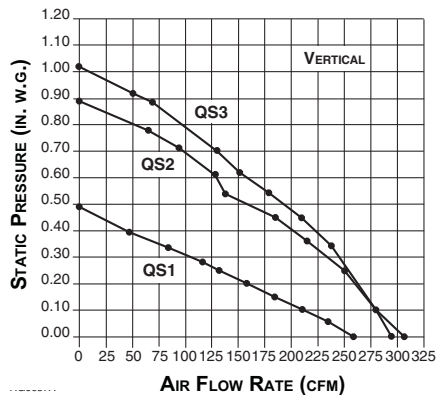
\*\*430 CFM AND 8.0 SONES IN BOOST MODE (QS3 ONLY).

## DIMENSIONS



NOTE: DIMENSIONS SHOWN ARE IN INCHES.

## AIR FLOW PERFORMANCE



HVI-2100 CERTIFIED RATINGS comply with new testing technologies and procedures prescribed by the Home Ventilating Institute, for off-the-shelf products, as they are available to consumers. Product performance is rated at 0.1 in. (2.54 mm) static pressure, based on tests conducted in a state-of-the-art test laboratory. Sones are a measure of humanly-perceived loudness, based on laboratory measurements.



BROAN-NU-TONE CANADA INC., MISSISSAUGA, ONTARIO WWW.BROAN.CA 1-888-882-7626

PROJECT	REMARKS
LOCATION	
MODEL No.	
QTY.	
SUBMITTED BY	
DATE	