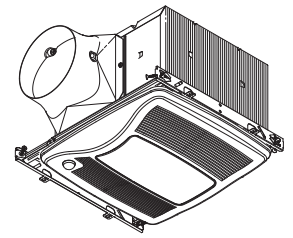


### MODEL ZB90MLC MULTI-SPEED VENTILATION FAN WITH LIGHT, NIGHT LIGHT & MOTION SENSOR



#### FEATURES

##### UltraGreen™ Energy Saving DC Motor

- DC motor for efficiency well beyond ENERGY STAR® requirements.
- Multi-speed capability ideal for meeting LEED and ENERGY STAR® for Homes requirements, as well as local/spot ventilation needs.

##### UltraSilent™ Sound Technology

- HVI certified, best-achievable <0.3 Sone level provides nearly silent operation for a relaxing environment.
- State-of-the-art blower and duct outlet design smooths airflow.
- High tech DC motor designed for nearly silent operation.

##### UltraSmart™ Control Technology

- Powerful operation maintained over a wide range of real-world installations (CFM ratings maintained through at least 0.25" static pressure).
- Infinitely adjustable low cfm setting allows precise adjustment to prevent over-ventilating and maximize efficiency.
- Adjustable time delay sets how long fan will run on high speed before returning to a continuous lower speed.

##### UltraLucent™ Lighting Technology

- Two, ENERGY STAR® qualified 18 watt (max) GU24, 3500K bulbs brightly illuminate room for most any task (bulbs included).
- One, 4 watt (max) C7 type night-light provides night-time convenience (bulb not included).
- Well-diffused, wide light dispersal floods room for maximum effectiveness and keeps bulbs from showing through lens.
- Enclosed reflector for minimal light visibility through the grille.

##### UltraQuick™ Installation Technology

- Unique telescoping mounting frame fits through retrofit drywall opening to allow easy installation from the room side. No attic access needed!
- Captive screws allow for easy new construction installation.
- Mounting frame positioning tabs provide easy vertical positioning for new construction.
- Easy to insert and remove snap-in housing. No screws required!
- Easy to insert and remove snap-in blower.
- Inside or outside duct connector and knockout plate mounting provides flexibility for new construction or retrofit.

##### UltraSense™ Motion Sensing Technology

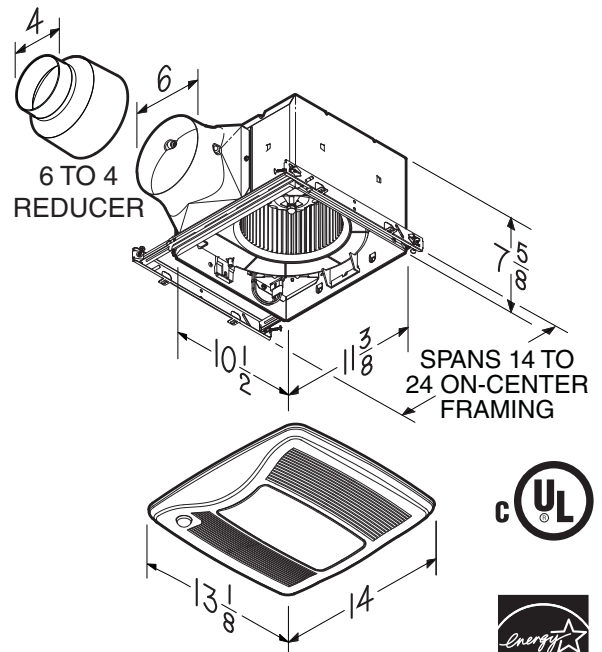
- Detects motion at the ceiling where coverage may be improved over wall-mounted sensor.
- Automatically switches fan to maximum airflow (CFM) when motion is detected.
- After motion is not detected, fan operates at maximum airflow (CFM) until UltraSmart™ user adjustable (5 to 60 minutes) time delay set point is reached then fan reduces to continuous airflow (CFM) level.

c.U.L. Listed for use over bathtubs and showers when connected to a GFCI protected branch circuit (ceiling mount only).

c.U.L. Listed for use in insulated ceilings (Type IC).

3-year warranty on product, 1-year warranty on bulbs.

#### DIMENSIONS (Inches)



Broan-NuTone Canada; Mississauga, Ontario www.broan.ca 877-896-1119

REFERENCE	QTY.	REMARKS	Project
			Location
			Architect
			Engineer
			Contractor
			Submitted by
			Date



# PERFORMANCE SPECIFICATIONS

## MODEL ZB90MLC MULTI-SPEED VENTILATION FAN WITH LIGHT, NIGHT LIGHT & MOTION SENSOR

### HVI PERFORMANCE

Airflow Rate Setting (CFM)	6" Duct					4" Duct				
	0.1 Ps - Static Pressure (in. H <sub>2</sub> O)				0.25 Ps	0.1 Ps - Static Pressure (in. H <sub>2</sub> O)				0.25 Ps
	Airflow (CFM)	Sound (sones)	Power (watts)	Efficacy (CFM/watt)	Airflow (CFM)	Airflow (CFM)	Sound (sone)	Power (watts)	Efficacy (CFM/Watt)	Airflow (CFM)
90	90	< 0.3	7.2	12.5	93	90	0.5	9.5	9.4	89
80	80	< 0.3	6.0	13.3	80	80	0.3	7.3	10.9	80
70	70	< 0.3	5.6	12.5	70	70	< 0.3	6.7	10.4	71
60	60	< 0.3	4.7	12.7	60	60	< 0.3	5.7	10.5	61
50	50	< 0.3	4.2	11.9	50	50	< 0.3	4.7	10.6	51
40	40	< 0.3	3.4	12.3	40	40	< 0.3	3.9	10.7	38
30	30	< 0.3	3.4	10.0	30	30	< 0.3	3.4	10.5	25

### ELECTRICAL & WEIGHT

Volts	Hz	Amps*	Shipping Weight (lb.)
120	60	0.9	13.9

\*Total connected load



HVI-2100 CERTIFIED RATINGS comply with new testing technologies and procedures prescribed by the Home Ventilating Institute, for off-the-shelf products, as they are available to consumers. Product performance is rated at 0.1 in. static pressure, based on tests conducted in a state-of-the-art test laboratory. Sones are a measure of humanly-perceived loudness, based on laboratory measurements.

### FAN CAPABILITY

