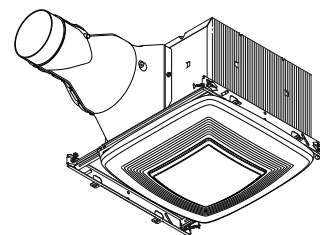


ULTRA PRO™ SERIES FAN / LIGHTS MODELS RB80LC, RB110LC



Quick Installation and Quiet Operation

FEATURES

UltraQuick™ Installation Technology

- Unique telescoping mounting frame fits through retrofit drywall opening to allow easy installation from the room side. No attic access needed!
- Captive mounting frame screws allow for easy new construction installation
- Mounting frame positioning tabs provide easy vertical positioning for new construction
- Works with any type of joist or truss system
- Duct connector and electrical knockout plate mount to outside or inside of housing, providing flexibility for new construction and retrofit applications
- Easy to insert and remove snap-in housing and blower

QStream™ Sound Technology

- Airflow-smoothing baffles reduce turbulence

QFlow™ Damper Technology

- When fan is on, damper position in the airstream is minimized to reduce static pressure and noise
- When fan is off, damper provides a tight seal to prevent back drafts

UltraLucent™ Lighting Technology

- Well-diffused, wide light dispersal floods room for maximum effectiveness, and keeps bulbs from showing through lens
- Enclosed reflector for minimal light visibility through the grille openings
- ENERGY STAR® qualified, 18 watt maximum, GU24, 3500K bulbs (2) brightly illuminate room for most any task (bulbs included)
- Type C7, 4 watt maximum, night light bulb provides night time convenience (bulb not included)

Blower

- Plug-in, permanently lubricated motor, engineered for continuous use

Housing

- Height allows for installation in 2" x 8" (nominal) construction

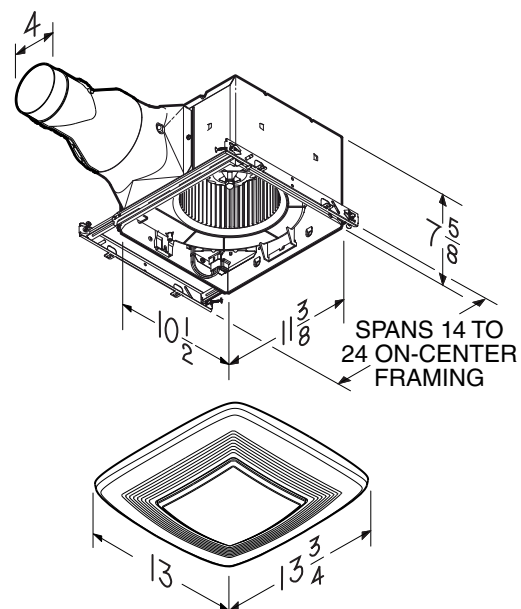
Grille

- Polymeric construction, innovative design

cU.L. Listed for use over bathtubs and showers when connected to a GFCI-protected branch circuit (ceiling mount only)

3 Year Warranty

DIMENSIONS (Inches)



Broan-NuTone Canada; Mississauga, Ontario www.broan.ca 877-896-1119

REFERENCE	QTY.	REMARKS	Project
			Location
			Architect
			Engineer
			Contractor
			Submitted by
			Date



PERFORMANCE SPECIFICATIONS ULTRA PRO™ SERIES FAN / LIGHTS

HVI PERFORMANCE

Model	0.1 Ps - Static Pressure (inH ₂ O)				0.25 Ps
	Airflow (CFM)	Sound (Sones)	Power (Watts)	Efficacy (CFM/Watt)	Airflow (CFM)
RB80LC	80	< 0.3	28.0	2.9	60
RB110LC	110	0.8	32.4	3.4	90



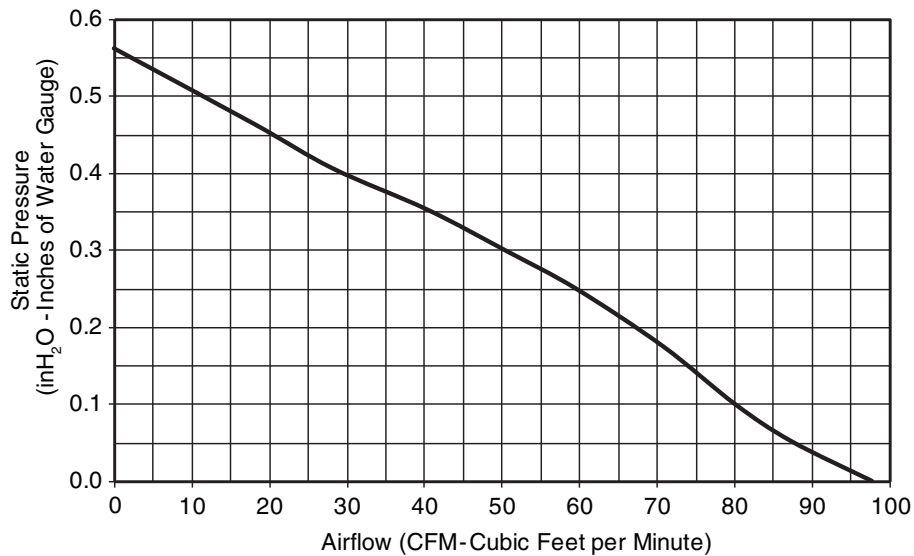
HVI-2100 CERTIFIED RATINGS comply with new testing technologies and procedures prescribed by the Home Ventilating Institute, for off-the-shelf products, as they are available to consumers. Product performance is rated at 0.1 in. static pressure, based on tests conducted in a state-of-the-art test laboratory. Sones are a measure of humanly-perceived loudness, based on laboratory measurements.

ELECTRICAL & WEIGHT

Model	Volts	Hz	Amps	Shipping Weight (lb)
RB80LC	120	60	1.0	13.5
RB110LC	120	60	1.0	13.5



Model RB80LC



Model RB110LC

