



# Introducing the Broan InVent™ SERIES

FLEXIBILITY for new construction  
and room-side retrofit from one fan.



# InVent™ SERIES A patent-pending

## Versatile Installation. Airtight Performance. LED Lighting.

InVent Series gives professionals smart options for new construction or room-side retrofits in one, hard-working product line. InVent is about innovations such as FoldAway™ mounting ears and TrueSeal™ Damper Technology that improves building airtightness like never before. With fresh grille designs and a full range of operating points, there's an InVent Series solution for every installation.



### More features from one fan.



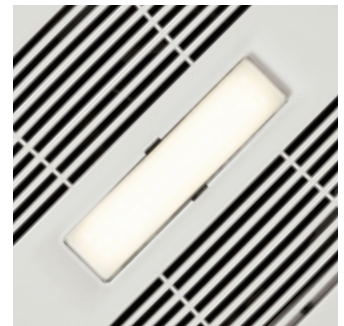
**FoldAway™ Mounting Ears** are precisely positioned for new construction and fold flat for room-side retrofits. Every installation can be handled more efficiently.



**With our TrueSeal™ Damper Technology**, InVent fans reduce air leakage by up to 50% compared to competitive models<sup>1</sup>, resulting in better home performance via blower door tests.



**EzDuct™ Connector** enables room-side installation without attic access. Attach the housing, pull the duct through, attach the EzDuct™ Connector and reset it with one screw.

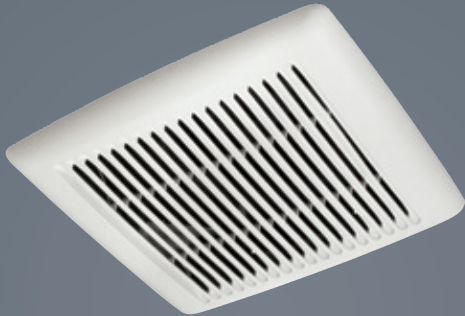


**LED Lighting** offers greater energy efficiency and longevity, and adds a unique design detail to this hard-working fan. 11-watt, 800 Lumens integrated LED module lasts up to 25,000 hours.

<sup>1</sup> Testing reflects total fan housing air tightness. See Broan.ca for details.

# revolution of mid-range fans.

## InVent™ Fan & Fan/Lights



Fan Models: A80C, A110C, AE80, AE110C, AE80B, AER50C



LED Fan/Light with 11-watt, 800 Lumens, 3000K, 80 CRI integrated module.  
Models: AE80L, AER110LC



Incandescent Fan/Light with A19 Base (bulb not included). Model: AR70LC

## InVent™ Series Accessories

A range of accessories ensures a custom fit in any application. Choose optional duct connectors, a radiation damper and a metal grille for commercial installations, and hanger bars for exact positioning.



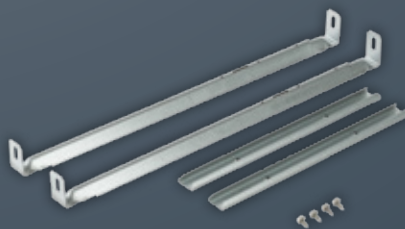
**Model RDM1**  
Radiation Damper.



**Model MQF4**  
With our QFlow™ Duct Connector, InVent fans reduce air leakage by up to 60% compared to competitive models<sup>1</sup>, offering an extremely tight seal when closed and completely open airflow when open.



**Model MMG**  
Metal Grille.



**Model MHB4**  
Hanger Bars<sup>2</sup>.



**Model MMDC4**  
Metal Duct Connector.

<sup>1</sup> Testing reflects total fan housing air tightness. See Broan.ca for details.

<sup>2</sup> Hanger bars are included with the A000HFC housing pack. They can be purchased separately for use with single packs.

## INVENT FAN MODELS

New Specifications				Replacing Specifications		
New Model	CFM	Sones	ENERGY STAR®	Replacing Model	CFM	Sones
AER50C	50	0.5	Yes	770	50	1.5
AE80B	80	1.5	Yes	784	80	2.0
AE80	80	0.8	Yes	QTRE080C/QTRE090C	80/90	0.8/1.0
AE110C	110	1.0	Yes	QTRE110C	110	1.3
A110C	110	3.0	No	DX110	110	4.0
A80C	80	2.0	No	DX90	90	2.5

## INVENT FAN/LIGHT MODELS

New Specifications					Replacing Specifications			
New Model	CFM	Sones	Lighting	ENERGY STAR®	Replacing Model	CFM	Sones	Lighting
AE80L	80	0.8	LED	Yes	QTRE090FLC	90	1.0	Fluorescent
AER110LC	110	1.0	LED	Yes	QTRE110FLC	110	1.3	Fluorescent
AR70LC	70	2.0	Incandescent A19 Base *	No	DX70L	70	3.5	Incandescent

\* Bulb Not Included

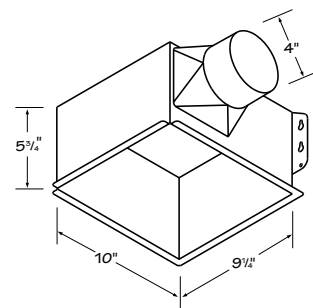
## INVENT FAN FINISH PACKS (MASTER PACK OF 4 UNITS)

New Specifications				Replacing Specifications		
New Model	CFM	Sones	ENERGY STAR®	Replacing Model	CFM	Sones
AE50F	50	0.5	Yes	F770/FHD50C/ FQTRE050C	50	1.5/1.5/0.4
AE80BF	80	1.5	Yes	F784	80	2.0
AE80F	80	0.8	Yes	FQTRE070C/FQTRE080C/ FQTRE090C	70 / 80 / 90	0.8 / 0.8 / 1.0
AE110FC	110	1.0	Yes	FQTRE110C	110	1.3
A110FC	110	3.0	No	DXF110	110	4.0
A80FC	80	2.0	No	DXF90	90	2.5

## INVENT HOUSING PACKS (MASTER PACK OF 4 UNITS)

New Model	Replacing Model	Description
A000HFC	DXH600/HQTXR000C	Fan Housing with Hanger Bars

Broan InVent™ Series Project Packs. Keep your job on schedule and your inventory safe. Even if the final fan product has not been selected, a project pack enables you to install a fan housing now and choose the right-sized finish pack later. You won't have an open box on the jobsite with a motor and grille that could be lost or damaged.



Broan.ca 1140 Tristar Drive Mississauga, Ontario L5T 1H9  
Customer Service 1-877-896-1119